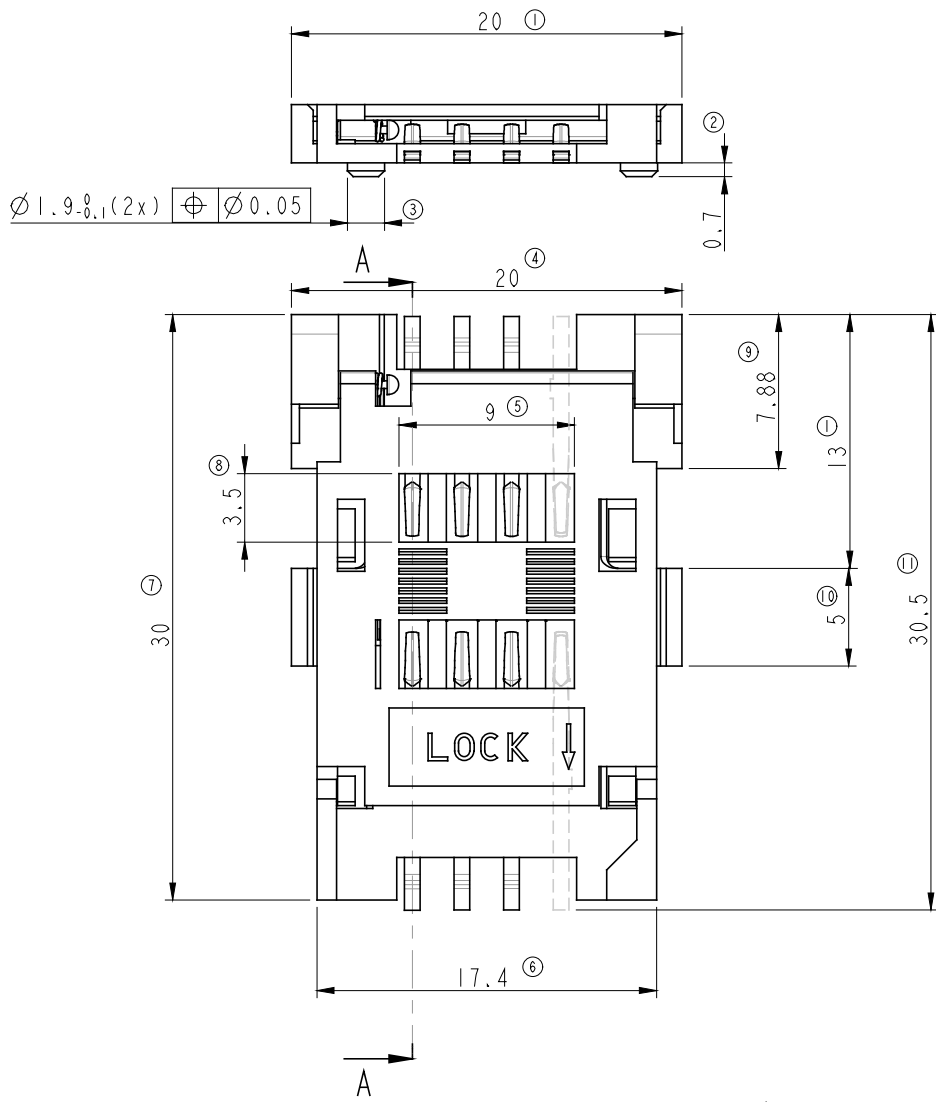


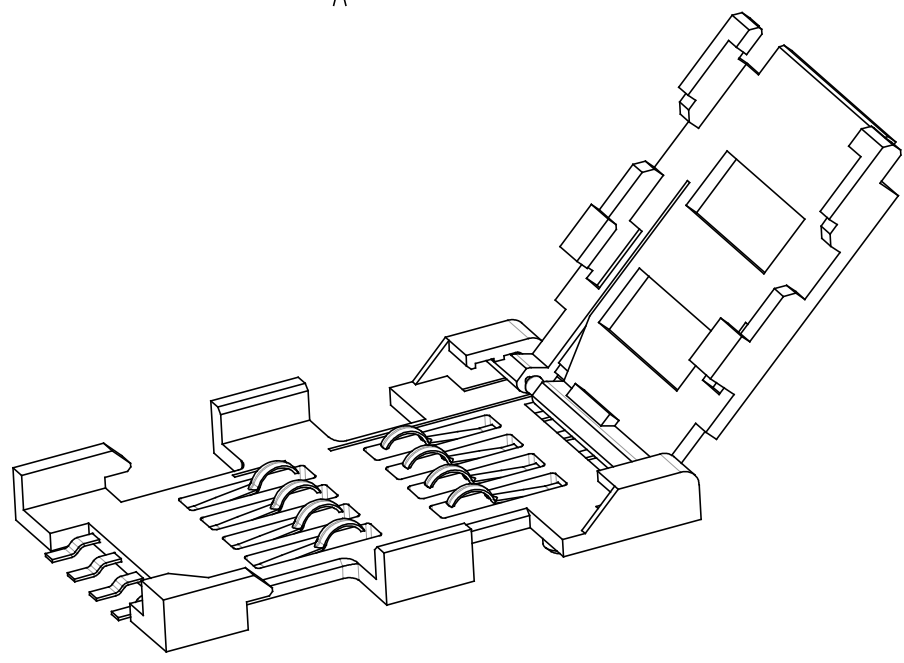
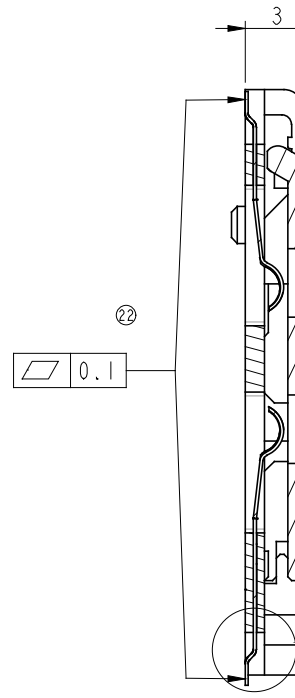
Tous droits strictement réservés. Reproduction ou communication, en tout ou en partie, sans autorisation écrite du propriétaire.
 Property of FCI. Draft of reproduction FCI.



All rights strictly reserved. Reproduction or issue to third parties in any form or by any means without written authority from the proprietor.
 Property of FCI. Copyright FCI.



SECTION A-A



1

2

3

4

A

RECOMMENDED PCB LAYOUT

B

C

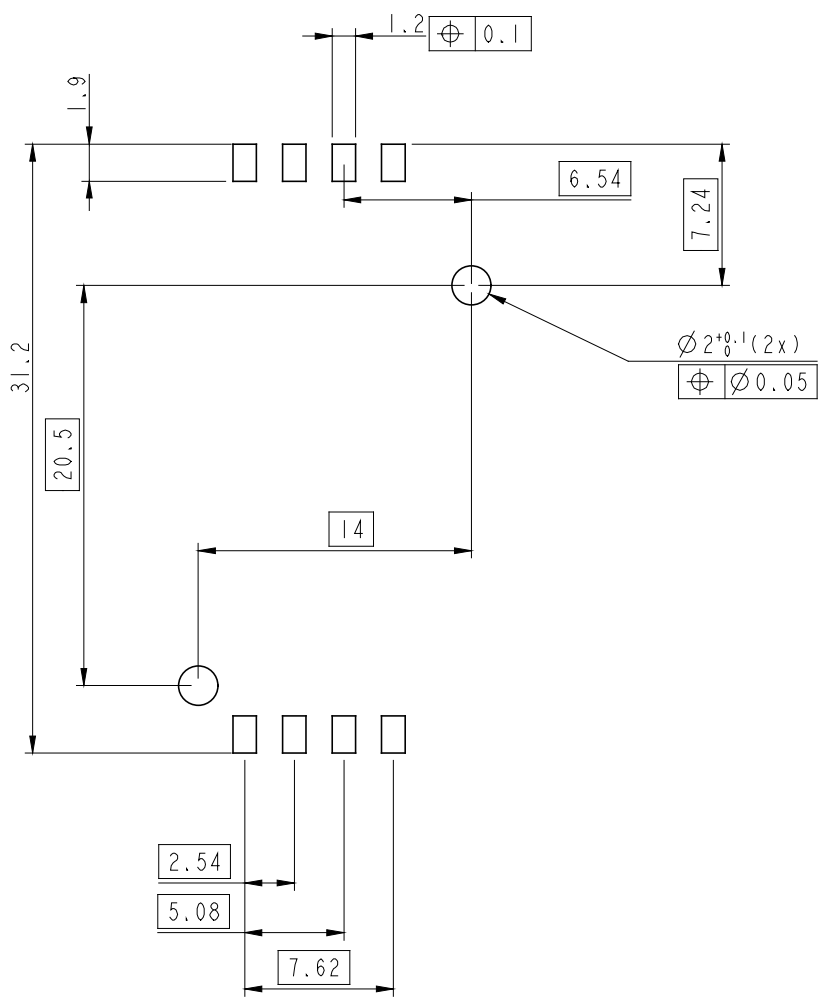
D

Tous droits strictement réservés. Reproduction ou communication des tiers sans autorisation écrite du propriétaire. Property of FCI. Draft of reproduction FCI.



E

All rights strictly reserved. Reproduction or issue to third parties in any form without written authority from the proprietor. Property of FCI. Copyright FCI.



TECHNICAL

Materials

- PI
- Co
- PI
- So
- Mat
- Spr

Electrical

- In
- Co
- Vo
- Cu

Mechanical

- 10
- Co

Environmental

- Op
- te

LEAD

"Thi
re

The
in

1

2

3

4